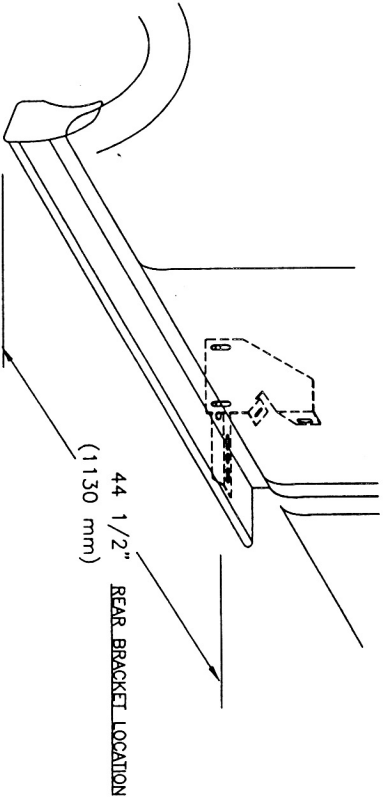


## YOUR BRACKETS INSTALL IN FACTORY HOLES

INSTALLATION PARTS LIST:		QTY. DESCRIPTION	
1	RUNNING BOARD	1	END CAP 1 LEFT & 1 RIGHT
1	STONE GUARD 1 LEFT & 1 RIGHT	2	5/16" CLIP NUT
3	3/8"x1 SELF TAPPING SCREW	10	5/16"x 3/4" BOLT
6	#14x3/4" TEK SCREW	8	5/16-18 HEX WASHER HEAD NUT
4	1/4x5/8" SQUARE HEAD SCREW	2	FLAT BRACKET, F105 D&P 2", FL46 D&P 4"
4	1/4-20 HEX NUT	2	HORIZONTAL BRACKET, SUPPORT, 3124F

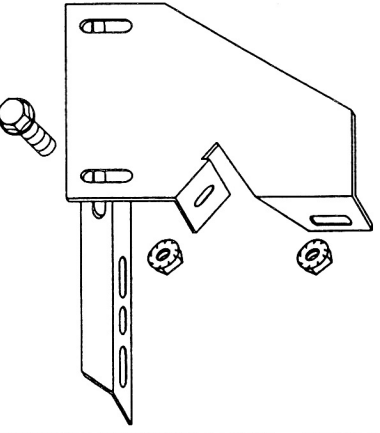
TOOLS REQUIRED: 5/16" DRILL \* 1/2" HEX SOCKET \* 1/2" WRENCH \* 5/16" NUT DRIVER \* 3/8" NUT DRIVER



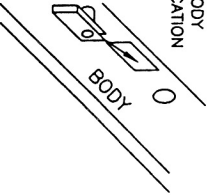
① MEASURE FROM FRONT WHEEL WELL TO BRACKET LOCATION MARK THIS DIMENSION ON THE PINCH WELD

(DRIVERS SIDE SHOWN)

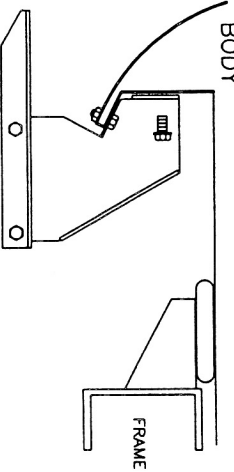
② BRACKET ASSEMBLY ASSEMBLE WITH 5/16" BOLTS



SLIDE NUT CUP INTO BODY HOLES AT BRACKET LOCATION

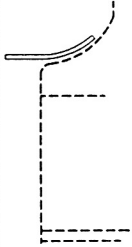


③ BRACKET ASSEMBLY MOUNT TO BODY ASSEMBLE WITH 5/16" BOLTS AND NUT CUP AND 5/16" BOLT

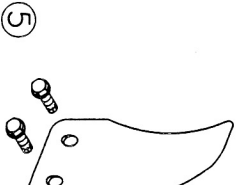


MOUNT AT LOCATION SHOWN AT ①

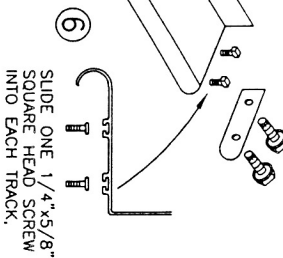
④ BEND STONE GUARD BY HAND AND KNEE TO FIT THE WHEEL WELL BEFORE INSTALLING TO RUNNING BOARD



⑤ FASTEN FRONT STONE GUARD TO BORDS WITH 3/8" SELF TAPPING BOLT. BEND STONE GUARD BY HAND AND KNEE TO FIT THE WHEEL WELL



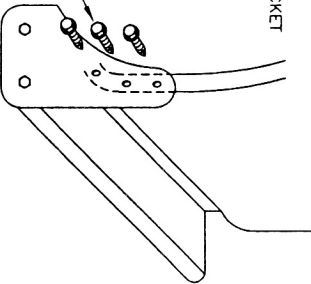
⑦ INSTALL END CAP TO BOARD WITH 3/8" SELF TAPPING BOLT



⑥ SLIDE ONE 1/4"x5/8" SQUARE HEAD SCREW INTO EACH TRACK.

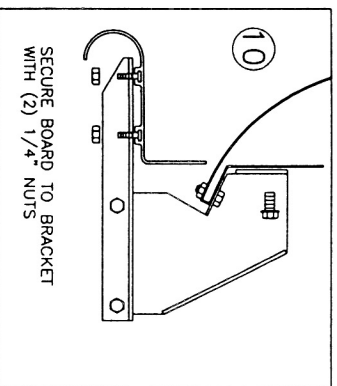
⑧ HOLD BOARD IN PLACE WITH THE REAR RESTING ON THE BACK BRACKET

⑨ SCREW THROUGH STONE GUARD INTO FENDERWELL LIP USING #14 BY 3/4 SELF DRILLING SCREWS. MAKE SURE YOU DRILL INTO METAL



3 PLACES AT EACH STONE GUARD

NOTE: BE SURE THAT 1/4" BOLTS ARE PLACED INTO THE BRACKET STEP SUPPORT



⑩ SECURE BOARD TO BRACKET WITH (2) 1/4" NUTS

⑪ WITH BOARD LEVEL TIGHTEN ALL LOOSE BOLTS

⑫

REPEAT FOR OTHER SIDE

⑫

IN228 06/06/03