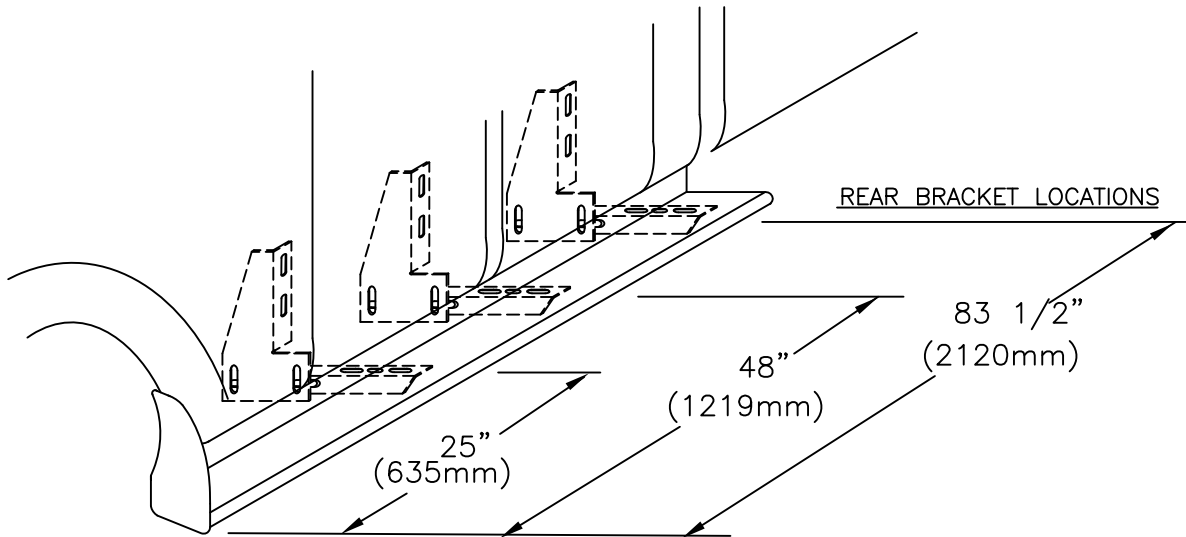


YOUR BRACKETS INSTALL IN FACTORY HOLES

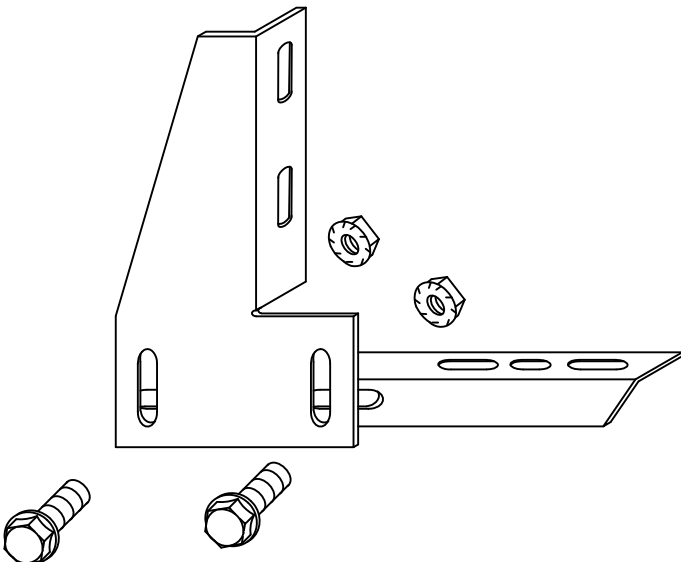
INSTALLATION PARTS LIST:	QTY.	DESCRIPTION	QTY.	DESCRIPTION
	1	RUNNING BOARD 1 DRIVER & 1 PASSENGER	6	HORIZONTAL BRACKET, SUPPORT, 3124F
	1	STONE GUARD 2 LEFT & 2 RIGHT	6	5/16" CLIP NUT
	12	3/8"x1 SELF TAPPING SCREW	24	5/16"x 3/4" BOLT
	12	#14x3/4" TEK SCREW	18	5/16-18 HEX NUT
	12	1/4x5/8" SQUARE HEAD SCREW	6	FLAT BRACKET, FL11
	12	1/4-20 HEX NUT	1	END CAP 1 LEFT & 1 RIGHT

TOOLS REQUIRED: 5/16" DRILL \* 1/2" HEX SOCKET \* 1/2" WRENCH \* 5/16" NUT DRIVER \* 3/8" NUT DRIVER

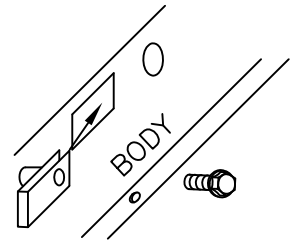


① (DRIVERS SIDE SHOWN)  
MEASURE FROM FRONT WHEEL WELL TO BRACKET LOCATION  
MARK THIS DIMENSION ON THE PINCH WELD

②  
BRACKET ASSEMBLY  
ASSEMBLE WITH 5/16" BOLTS

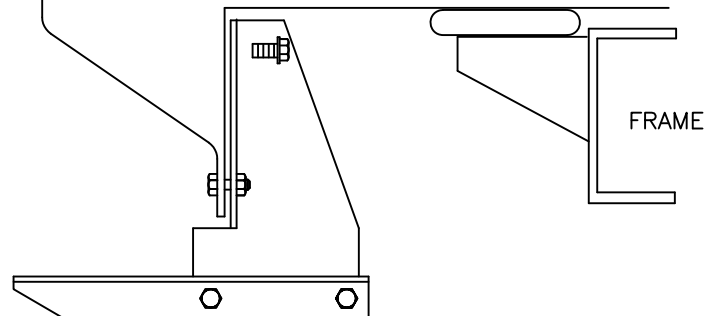


SLIDE NUT CUP INTO BODY HOLES AT BRACKET LOCATION AT 48"



③ BRACKET ASSEMBLY MOUNT TO BODY @48" ASSEMBLE WITH 5/16" BOLTS AND NUT CUP AND 5/16" BOLT

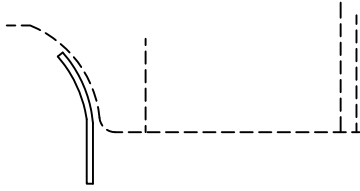
BRACKET ASSEMBLY MOUNT TO BODY @83 1/2" ASSEMBLE WITH 5/16" BOLTS AND #14 SELF DRILLING SCREW



MOUNT AT LOCATION SHOWN AT ①

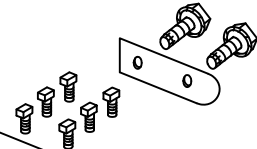
4

BEND STONE GUARD BY HAND AND KNEE TO FIT THE WHEEL WELL BEFORE INSTALLING TO RUNNING BOARD



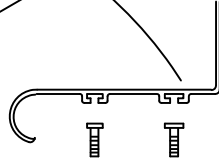
7

INSTALL END CAP TO BOARD WITH 3/8" SELF TAPPING BOLT



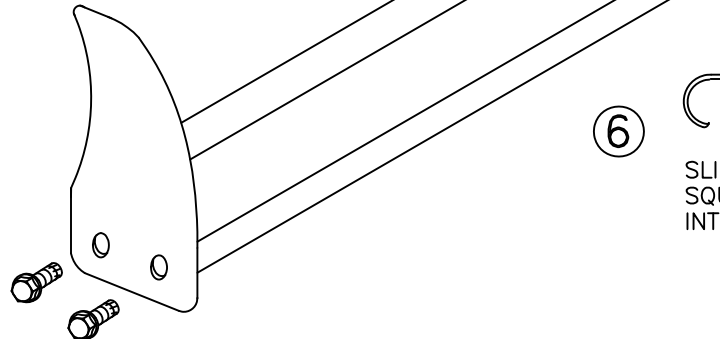
6

SLIDE THREE 1/4"x5/8" SQUARE HEAD SCREW INTO EACH TRACK,



5

FASTEN FRONT STONE GUARD TO BOARDS WITH 3/8" SELF TAPPING BOLT. BEND STONE GUARD BY HAND AND KNEE TO FIT THE WHEEL WELL



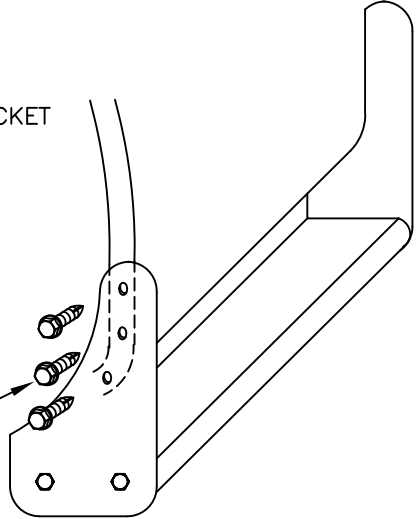
8

HOLD BOARD IN PLACE, WITH THE REAR RESTING ON THE BACK BRACKET

NOTE: BE SURE THAT 1/4" BOLTS ARE PLACED INTO THE BRACKET STEP SUPPORT

9

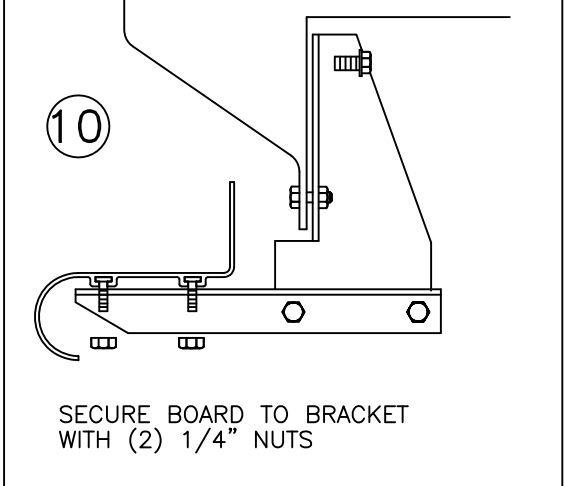
SCREW THROUGH STONE GUARD INTO FENDERWELL LIP USING #14 BY 3/4 SELF DRILLING SCREWS, MAKE SURE YOU DRILL INTO METAL



3 PLACES AT EACH STONE GUARD

10

SECURE BOARD TO BRACKET WITH (2) 1/4" NUTS



11

WITH BOARD LEVEL TIGHTEN ALL LOOSE BOLTS

12

REPEAT FOR OTHER SIDE

IN09A  
07/31/06