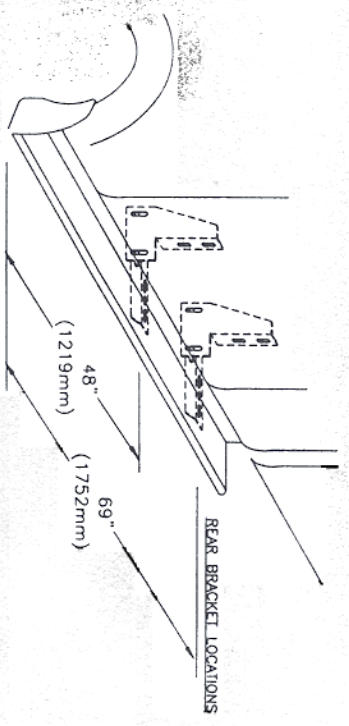


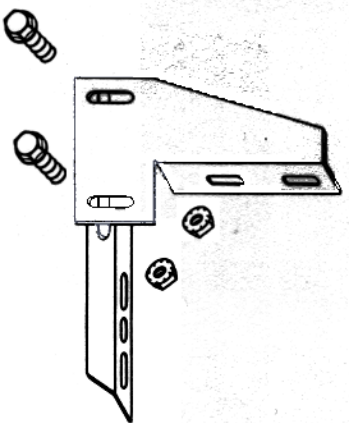
INSTALLATION PARTS LIST:	QTY.	DESCRIPTION	QTY.	DESCRIPTION
1	1	RUNNING BOARD 1 DRIVER & 1 PASSENGER	2	HORIZONTAL BRACKET, SUPPORT, 3124F
2	2	STONE GUARD 2 LEFT & 2 RIGHT	20	5/16" CLIP NUT
3	20	5/16" x 3/4" BOLT	18	5/16-18 HEX NUT
4	18	5/16-18 HEX NUT	4	FLAT BRACKET, FL11
5	8	#14x3/4" TEK SCREW	1	END CAP 1 LEFT & 1 RIGHT
6	8	1/4x5/8" SQUARE HEAD SCREW		
7	8	1/4-20 HEX NUT		

TOOLS REQUIRED: 5/16" DRILL • 1/2" HEX SOCKET • 1/2" WRENCH • 5/16" NUT DRIVER • 3/8" NUT DRIVER

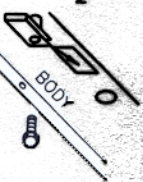


① (DRIVERS SIDE SHOWN)
 MEASURE FROM FRONT WHEEL WELL TO BRACKET LOCATION
 MARK THIS DIMENSION ON THE FRICH WELD

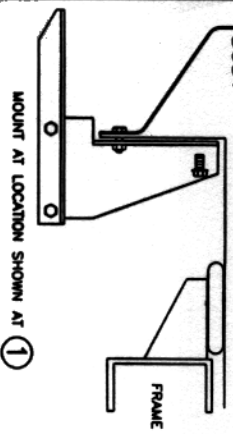
② BRACKET ASSEMBLY
 ASSEMBLY WITH 5/16" BOLTS



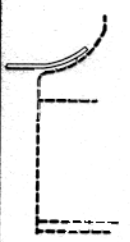
SLIDE NUT CLIP INTO BODY
 HOLES AT BRACKET LOCATION
 AT 48"



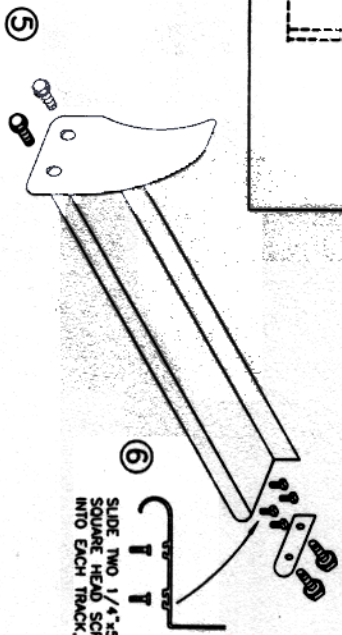
③ BRACKET ASSEMBLY MOUNT TO BODY #48"
 ASSEMBLY WITH 5/16" BOLTS AND
 NUT CLIP AND 5/16" BOLT
 BRACKET ASSEMBLY MOUNT TO BODY #69"
 ASSEMBLY WITH 5/16" BOLTS AND
 #14 SELF DRILLING SCREW



④ BEND STONE GUARD BY HAND AND
 KNEE TO FIT THE WHEEL WELL
 BEFORE INSTALLING TO RUNNING BOARD

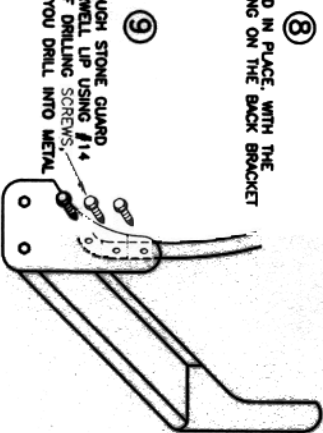


FASTEN FRONT STONE GUARD
 TO BOARDS WITH 3/8" SELF
 TAPPING BOLT. BEND STONE
 GUARD BY HAND AND KNEE
 TO FIT THE WHEEL WELL



⑦ INSTALL END CAP TO BOARD
 WITH 3/8" SELF TAPPING BOLT

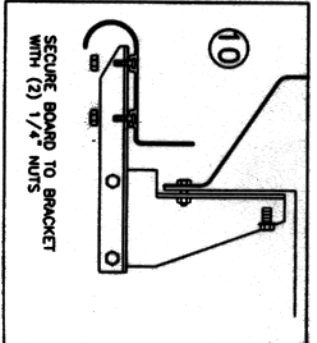
⑧ HOLD BOARD IN PLACE WITH THE
 REAR RESTING ON THE BACK BRACKET



3 PLACES AT EACH STONE GUARD

SCREW THROUGH STONE GUARD
 INTO FENDERWELL LIP USING #14
 BY 3/4" SELF DRILLING SCREWS.
 MAKE SURE YOU DRILL INTO METAL

NOTE: BE SURE THAT 1/4" BOLTS ARE PLACED
 INTO THE BRACKET STEP SUPPORT



⑪ WITH BOARD LABEL TIGHTEN
 ALL LOOSE BOLTS

⑫ REPEAT FOR OTHER SIDE